

## SensoIRIS S130 IS Optical-Smoke Fire Alarm Detector

### EN54-7/ 17

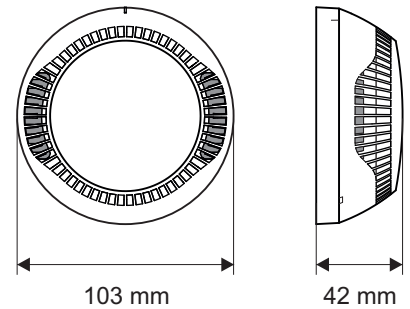
### Description

SensoIRIS S130 IS, is an addressable optical-smoke detector with build-in isolator module, designed for installing in addressable fire alarm systems supporting TTE communication protocol.  
The detector is powered on from the panel and can be controlled via the communication protocol.



### Technical and Environmental Specifications

Operating Voltage Range . . . . .	15 - 32VDC (Nom. 27VDC)
Consumption in quiescent state, no communication: . . .	< 190µA@27VDC
Consumption in quiescent state, with communication: . . .	< 310µA@27VDC
Consumption in alarm state, with communication . . . . .	6.5mA
Sensitivity, selectable from control panel. . . . .	High/ Normal/ Middle/ Low
Protected area . . . . .	up 120m <sup>2</sup>
Installation height. . . . .	up 16m
Output in alarm state at terminal RI (terminals 4/ 1) . . .	7.5 mA (max)/ 7.5V
Wire Gauge for terminals. . . . .	0.4mm <sup>2</sup> - 2.0mm <sup>2</sup>
Operating temperature . . . . .	-10°C to +60°C
Relative humidity resistance . . . . .	(93 ± 3)% @ 40°C
Protection . . . . .	IP30
Weight (including base). . . . .	~125g
Dimensions (including base) . . . . .	103x42mm

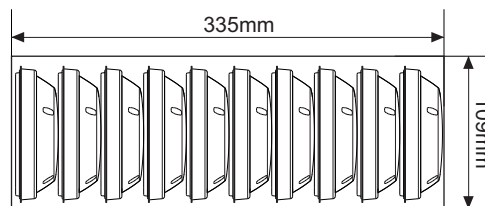


**DoP No: 022**

1293-CPR-0451  
EVPU: N.B.1293

### Packing Information

• **Master box** - 10 units SensoIRIS S130 IS, dimensions 335 x 109 x 109 mm, without base.  
All detectors are protected with a plastic cap.



### Compatible Product Range

- **IRIS** - Addressable Fire Panel, 96 zones
- **SIMPO** - Addressable Fire Panel, 16 zones
- **SensoIRIS FRI-1** - Remote Fire Indicator
- **SensoIRIS B124** - Standard Base
- **Deep Base** - Accessory for mounting on rough surfaces, outdoor pipelines, etc.
- **SensoIRIS Programmer** - Address Programming Tool

### Contact Information