

E-Stop Pushbutton

- Model: LAY5-BS542
- Description: Red Mushroom Head Pushbutton, Turn to Release, N/C
- Pic:

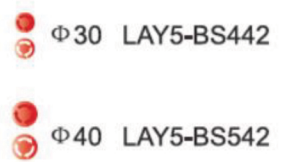


Turn to release

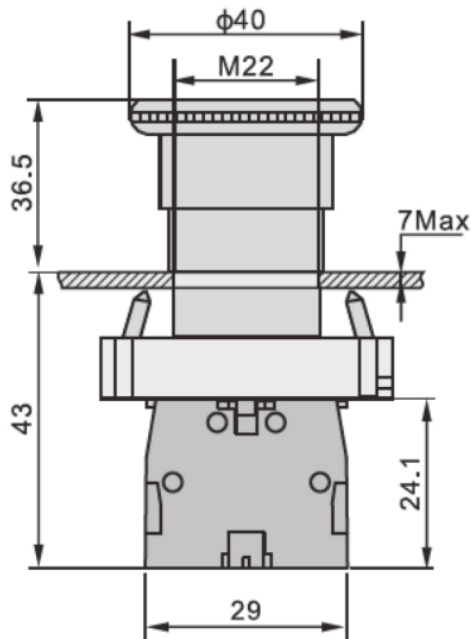
N/C



Red



➤ Drawings



Work environment

- Surrounding Temperature: $-25^{\circ}\text{C}\sim+55^{\circ}\text{C}$
- Air Relative humidity: $\leq 85\%$
- Vibration Frequency: $2\sim 80\text{Hz}$
- Acceleration Speed: 0.7h/g
- Altitude: $\leq 2000\text{m}$

Main technical parameter

- Rated Insulation Voltage: $600\text{V AC (50Hz/60Hz)}$
- Conventional Heating Current: 10A
- Insulation Resistance: $\geq 50\text{M}\Omega$
- Contact Resistance: $\leq 25\text{Min}\Omega$
- Min. mA current at 12VDC : 15mA