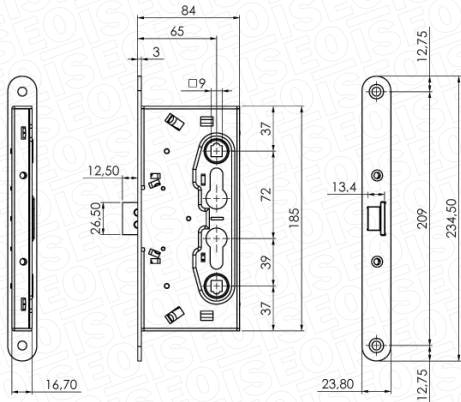
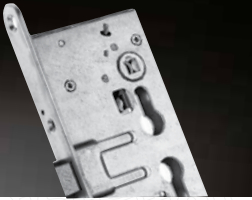
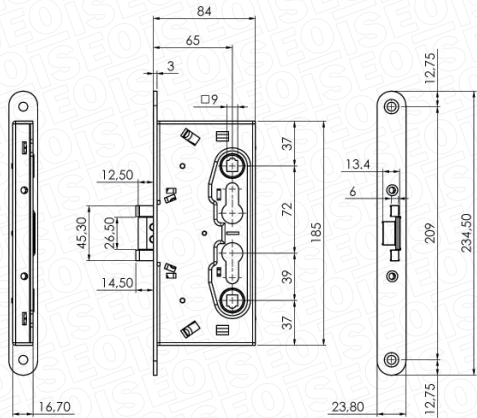


214

**FIRE RESISTANT
PANIC LOCK**



LOCKS 1 AND 4



LOCKS 2 AND 3

PRODUCT:

Thanks to the splitted square spindle and double cylinder hole, the reversible fire resistant panic lock 214 is the standard type of lock used on fire resistant panic doors and/or emergency doors.

OPERATING:

LOCK 1 - 214110* series

Inside: latch operated by key and emergency handle or panic bar
Outside: latch operated by key and handle, only if enabled by the key

LOCK 2 - 214140* series

Inside: latch and bolt operated by key and emergency handle or panic bar
Outside: latch and bolt operated by key

LOCK 3 - 214120* series

Inside: latch and bolt operated by key and emergency handle or panic bar
Outside: latch and bolt operated by key, the handle only operates the latch

LOCK 4 - code 214110654.C

Inside: latch operated by key and emergency handle
Outside: latch operated by key and handle, only if enabled by the key

When not enabled, the exterior handle remains idle.

RANGE:

1. Panic lock with latch only (splitted square spindle, exterior handle)
2. Panic lock with latch and bolt (one-piece square spindle, fixed exterior knob)
3. Panic lock with latch and bolt (splitted square spindle, exterior handle)
4. Panic lock with reverse latch only (splitted square spindle, exterior handle, with emergency opening function by pulling inward).

ISEO®

TECHNICAL FEATURES

Centre distance:

- 72 mm

Backset:

- 65 mm

Square spindle:

- 9 mm, splitted and/or one-piece model, depending on the functions of the locks 1, 2, 3, 4

214

**FIRE RESISTANT
PANIC LOCK**

STANDARDS:

CE marking for use on fire resistant doors, in accordance with the EN12209:2005 standard, and for use on doors installed along escape routes (fire resistant and non fire resistant) in accordance with the EN1125 and EN179 standards.

Certification issued by IFT in order to obtain the marking **U** for the German fire resistant market, for codes 214120654, 214110654.7.

EN179:2008 when combined with handles 0324*, 0325* and Pad.

EN1125:2008 when combined with the Palmo and Idea Base (type A), Push Palmo and Push Infilare (type B) panic exit bars for main and secondary door leafs.

TEXT FOR SPECIFICATIONS:

Iseo type 214 panic lock for fire resistant doors. CE marking for use on fire resistant doors, in accordance with the EN12209:2005 standard, and for use on doors installed along escape routes (fire resistant and non fire resistant) in accordance with the EN1125 and EN179 standards. Latch protruding 12.5 mm, 9 mm square spindle, backset 65 mm, centre distance 72 mm. For doors installed along escape routes, in accordance with the EN179:2008 standard, use 0324* and 0325* series fire resistant handles. For doors installed along escape routes, in accordance with the EN1125:2008 standard, use Palmo, Palmo Push, Idea Base and Push Infilare certified panic bars.

MATCHING ACCESSORIES:

- Heavy flat strike plate 235 x 24 x 3 mm.
- 212* series panic counterlock for double doors.
- 0324* and 0325* series fire resistant handles.
- Push Pad devices.
- PALMO and PUSH PALMO panic bars.
- IDEA BASE and PUSH INFILARE panic bars.
- ARIES electronic trim set.

ISEO®

HIGHLIGHTS

- **Reversible (overturnable) lock**, thanks to the splitted square spindle, double cylinder hole and symmetrical latch and bolts on the horizontal axis.
- **Flat front, rounded edges, 235 x 24 x 3 mm.**
- **Lock dimensions 185 x 84 x 17 mm and centre distance of the fastening screws 209 mm, so that the opening in the door in accordance with the most common market standards.**
- **Operating with European profile cylinder.**